

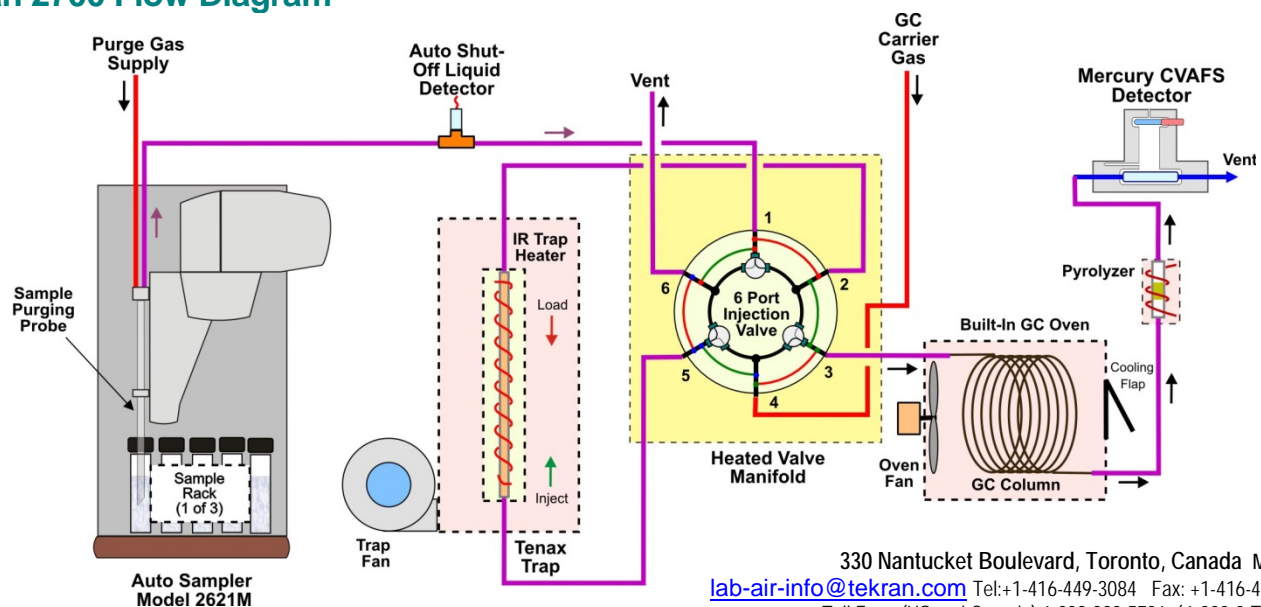
Tekran 2700 Methyl Mercury Analysis System

Rev. 021615



Tekran Instrument Corporation introduces the new **Tekran 2700 Methyl Mercury Auto-Analysis System**. The 2700 has been designed to give analytical laboratories and researchers an alternative to the time consuming and complex manual method (**EPA 1630**). The **Tekran 2700** accomplishes this in a fully integrated, self-contained compact unit (**MDL=0.002 ng/L**), operated via state of the art software.

Tekran 2700 Flow Diagram



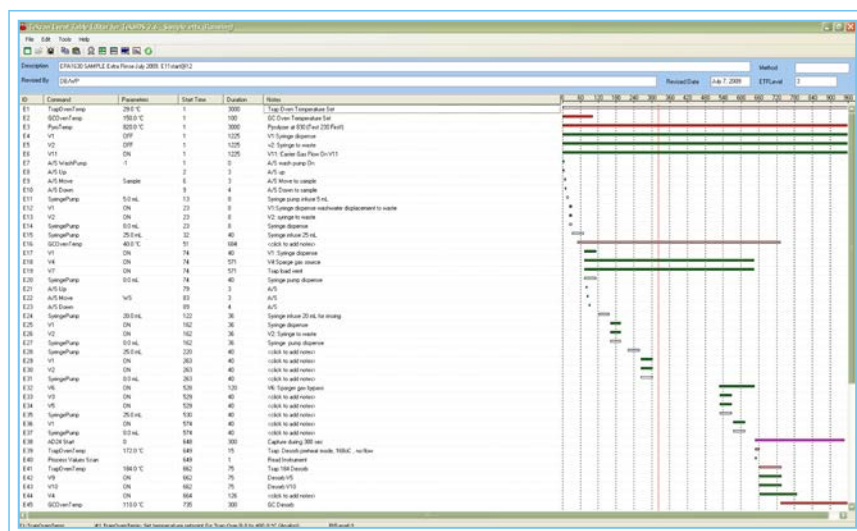
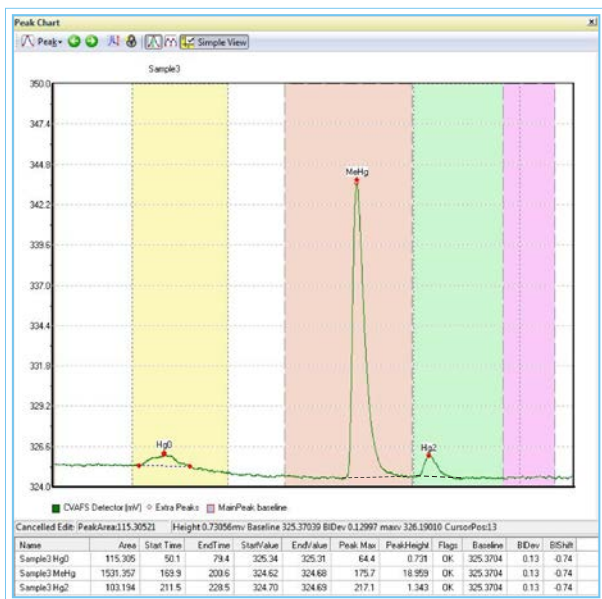
330 Nantucket Boulevard, Toronto, Canada M1P 2P4
lab-air-info@tekran.com Tel:+1-416-449-3084 Fax: +1-416-449-9298
 Toll Free: (US and Canada) 1-888-383-5726 (1-888-3-TEKRAM)

Tekran 2700 Auto-Analyzer Features

- Highly sensitive, ultra-stable CVAFS Hg detector
- MDL of 0.002 ng/L
- Built-in GC oven
 - Programmable for either isothermal or temperature ramp chromatography
 - Accepts both capillary and packed GC columns
- IR trap heating and active cooling
- Utilizes traps made of Tenax OR Carbotrap
- Able to analyze either distilled or non-distilled samples
 - Direct ethylation or EPA 1630 distilled waters
 - Sediments and biota samples via distillation or extraction
- Direct vial purge for simplified operation
- Liquid detector shuts down system in case of malfunction
- Heated valve manifold prevents potential losses
- Capable of interfacing to ICP/MS to yield isotopic ratios for methyl mercury
- Small foot print (51cm X 35cm X 52cm, L:W:H)

Tekran 2700 Software features

- Based on Model 2600 (Total Hg) Tek-MDS-2
- Full GC data system capabilities
- Developed “in-house” and fully supported
- Comes complete with EPA standard method
- Easily customized analytical sequences
- Automated trouble shooting and flushing sequences
- Fully programmable analysis cycle parameters for any special application



Due to continuing development, all specifications are subject to change.